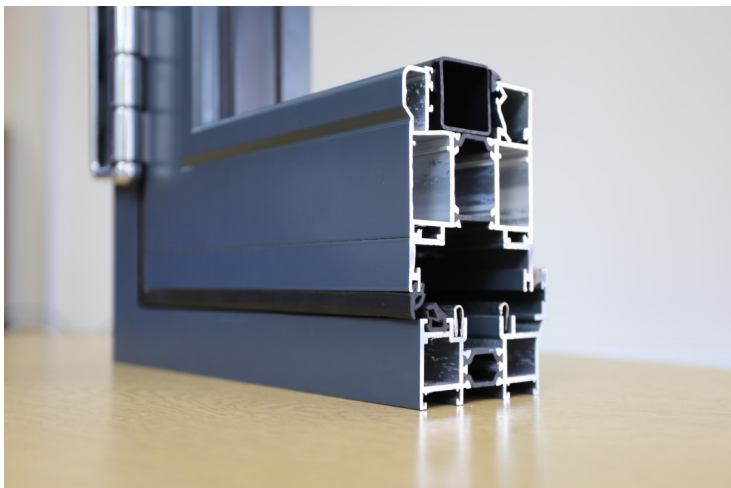




# Unifold Bi-Folding Doors



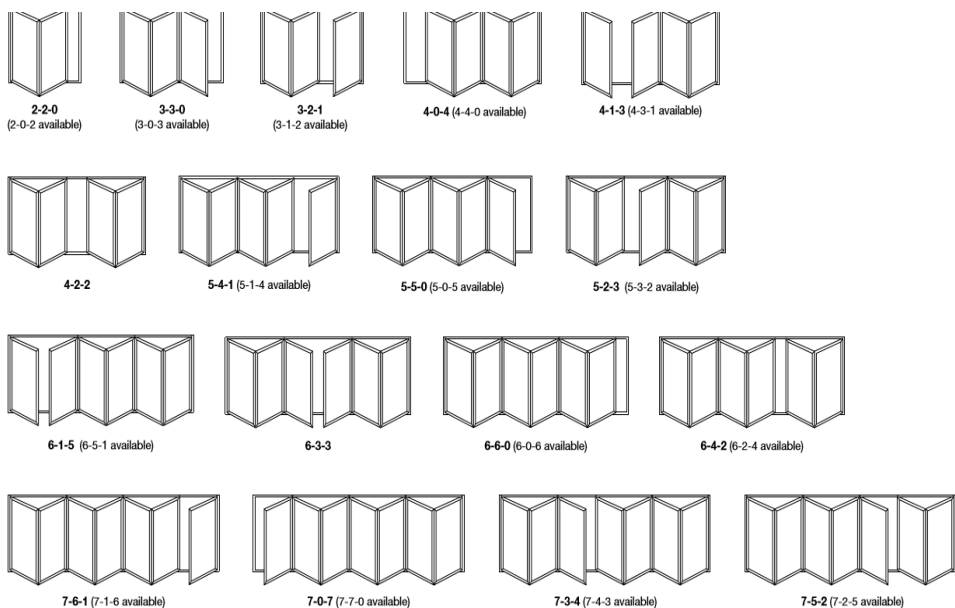




Folding sliding doors help you to create an open, flexible and modern space for both living and working environments.

Let our folding sliding doors completely change the way you spend your time at home. Our doors allow you to either unwind in a stylish open plan living area, or gives you the opportunity to create beautifully panoramic views from any room. No matter your choice, folding sliding doors provide you with complete flexibility you need to create a relaxed, ambient environment.

## CONFIGURATIONS



The diagram shown here illustrates the configurations achievable with our bi-fold door system. Available in a range of styles and designs, panels can be stacked inside or outside of the room, to the left, right or split to stack on both sides. Door sets can be manufactured to replace entire walls to fully maximise your opening space.

**[CAN BE MIRRORED]**



# Beautiful living spaces

Bi-folding doors offer the perfect opportunity to open up your home and bring the sunshine into your living space, whilst keeping the unwanted elements outside.

A leader in the manufacturing and design of aluminium sliding and folding doors, we deliver unmatched reliability, design and performance every time. Our bi-fold doors allows you to transform your living space by opening up wide expanses of your external walls to your outside space, whilst simultaneously keeping unpleasant weather out and the heat in during the colder winter months.



BI-FOLD DOOR EXTERIOR



BI-FOLD DOOR INTERIOR



## Designed for your ideal home

With a complete flexibility to cater for all your needs, our bi-fold doors are designed to give you the choice to create your picture-perfect look that is ensured to complement your home with any lifestyle. Options include:

- ◆ Minimal profiles for a modern look
- ◆ High performance glazing and design
- ◆ Wide range of configuration options
- ◆ Unique flush line pop-out handle option
- ◆ Complete range of handles and accessories
- ◆ Full range of standard and bespoke colours
- ◆ Dual colour option for inside and out
- ◆ Chamfered and square bead options
- ◆ Sturdy and reliable sliding mechanism
- ◆ Low threshold option for room dividers
- ◆ High performance as standard
- ◆ Also available in a corner configuration
- ◆ Can easily be combined with all aluminium window and door systems



*“Achieve the perfect style to craft your dream home”*



Class 4



AE2400



600Pa



1.7



PAS24

## Endless possibilities

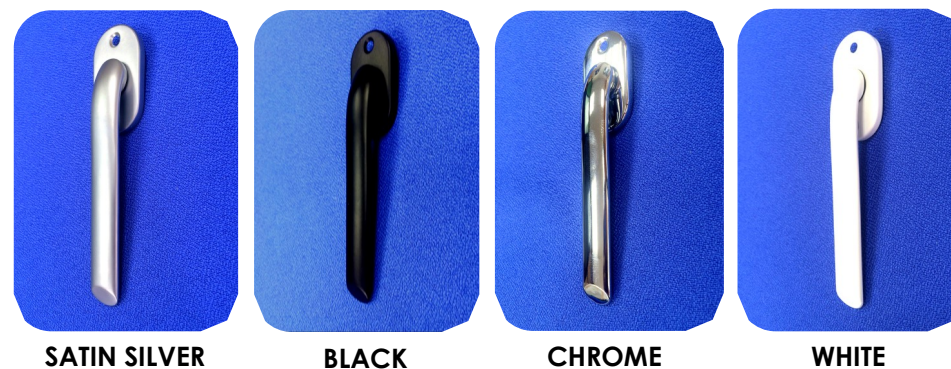
You will feel like you're living the outside inside by opening entire facades in your home and truly making the most out of your garden. Any aspiration is possible with our slide folding doors. These beautifully designed and versatile doors are suitable wherever you want to transform your home; living room, bedroom, kitchen conservatory - the choice is yours!



## Safe and Secure

As a company, we operate an extensive testing regime to ensure that our products continue to perform to the highest standards. In our view, quality implies consistency, reliability and durability in terms of materials, product performance and service.

### COLOUR OPTIONS

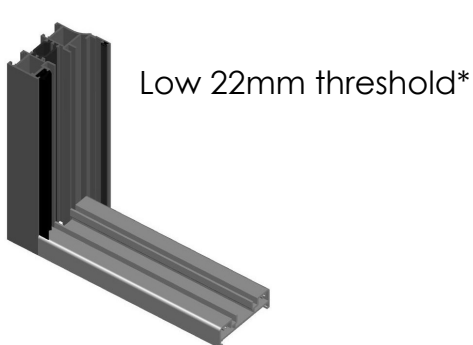


# Performance built-in

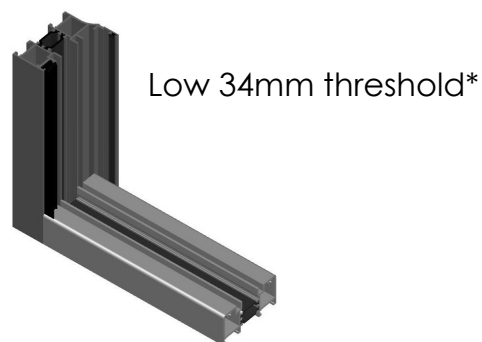
In addition to our standard threshold, we offer various options for those requiring a flusher-fitting low-threshold, to best suit your needs.

For external doors, we offer three low-threshold options, including a Part M compliant double ramp threshold that allows easy pushchair and disabled access, as set out by the Building Regulations.

If you want a low-threshold for an internal bi-fold door, then we have a flush-fitting threshold that allows seamless integration of two rooms.



Low 22mm threshold\*



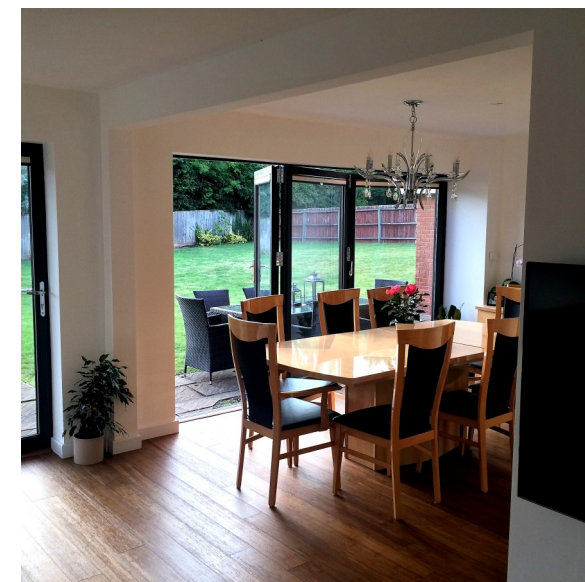
Low 34mm threshold\*

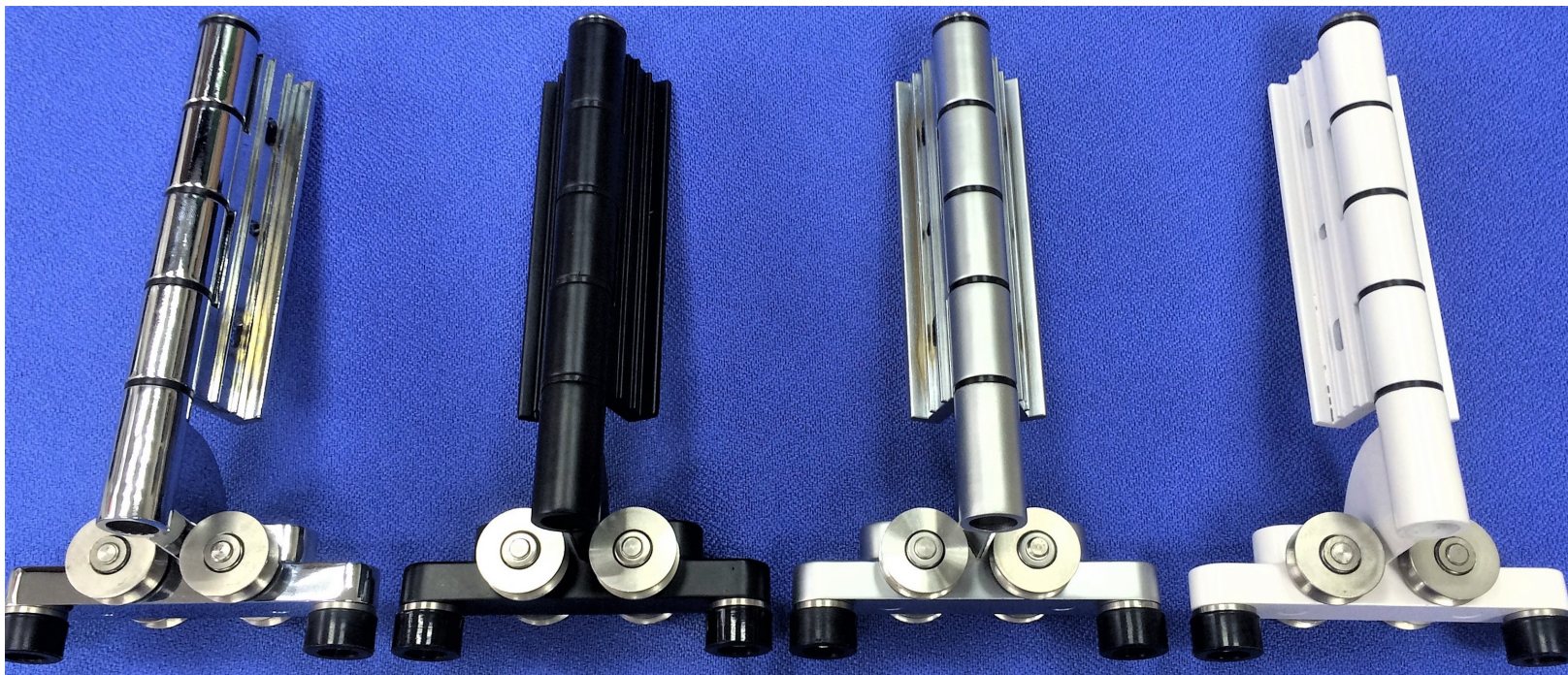
\*Low thresholds are non-weather rated

## Customer service - a paramount priority

We have a full customer service and technical team available to help you with your questions.

Whether you need technical advice on product choice and finish or just need to know more about the benefits of aluminium windows or doors, our experienced and knowledgeable team is on hand to help with your enquiry.





## FEATURES

- Each panel can hold a glass load of up to 130kg
- Internally beaded with a softline or square detail to all external doors and panels
- Chamfered and square bead options
- Four stainless steel wheels ensures smooth and consistent operation
- Unique, flush line pop-out handle that allows maximum door opening and square stacking panels
- Low threshold option which can be configured to achieve DDA and Part M compliance

## OPTIONS

- Doors and panels can be used in a variety of configurations, style and design
- All configurations are available in both open-in and open-out options
- Full range of bespoke hardware available
- Glazing sizing range of 28mm-40mm
- Available in single or dual colour options, polyester powder coating and anodised finishes







T: 0116 236 4656

F: 0116 234 1770

trade@uws.co.uk

sales@uws.co.uk

[www.uws.co.uk](http://www.uws.co.uk)

Registered Office: 87 Parker Drive, Leicester LE4 0JP

Registered in England Number: 5060094